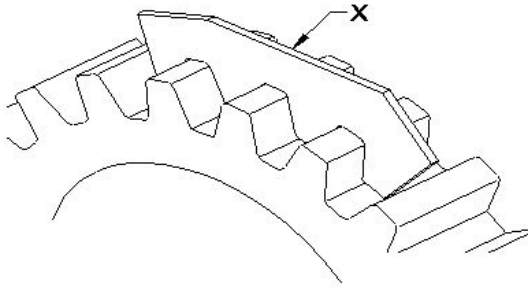


1). What is the name of the part marked as 'X' shown in the figure?



- (A) Depth gauge
 - (B) Template
 - (C) Profile plate
 - (D) Pitch gauge
- Correct Answer: B

2). Which term refers to the wear and tear of gear tooth due to extreme loads and notches?

- (A) Fatigue breakage
 - (B) Cold flow
 - (C) Rippling
 - (D) Crushing
- Correct Answer: A

3). What causes rippling in gear tooth?

- (A) Extreme tooth loads
 - (B) Cyclic loads under high contact stress
 - (C) Overload exceeds tensile strength
 - (D) Misalignment of gears
- Correct Answer: B

4). Which gear transmits power between intersecting shafts at right angles?

- (A) Bevel gear
 - (B) Screw gear
 - (C) Worm gear
 - (D) Spur gear
- Correct Answer: A

5). Where are worm and worm gears used?

- (A) Used in index head gear mechanism
 - (B) Used in automotive differential gear boxes
 - (C) Used in oil pumps
 - (D) Used in centre lathe
- Correct Answer: A

6). How hydraulic transmission force is controlled?

- (A) By air
- (B) By gears
- (C) By fluids

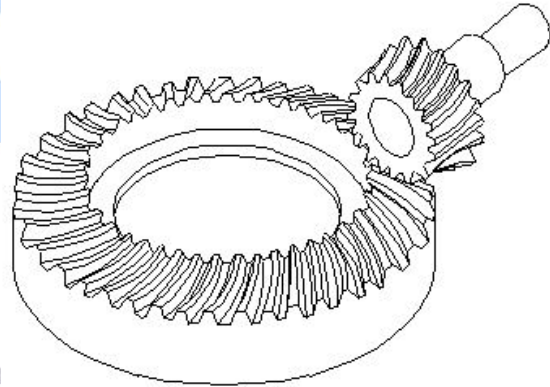
(D) By electric

Correct Answer: C

7). Which gear runs more silently than a spur gear?

- (A) Worm and worm gear
 - (B) Mitre gear
 - (C) Bevel gear
 - (D) Helical gear
- Correct Answer: D

8). What is the name of the gear shown in the figure?

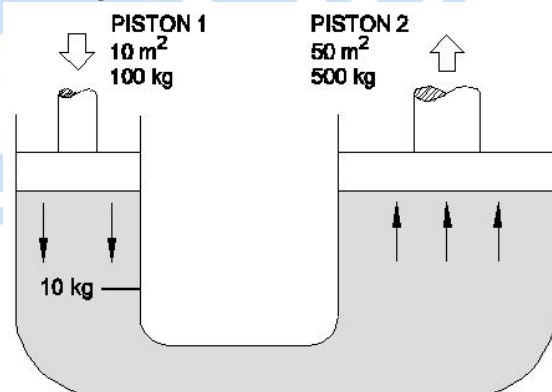


- (A) Mitre gear
 - (B) Bevel gear
 - (C) Hypoid gear
 - (D) Worm shaft and worm gear
- Correct Answer: C

9). Which law states that the pressure exerted on a liquid is transmitted equally in all the directions?

- (A) Boyle's Law
 - (B) Pascal's Law
 - (C) Hook's Law
 - (D) Archimedes Principle
- Correct Answer: B

10). How much pressure is acting on piston 2 as shown in the figure?



(A) 5 Kg

- (B) 7.5 Kg
- (C) 50 Kg
- (D) 2.5 Kg

Correct Answer: C

- (C) By using herring-bone gear
- (D) By using single helical gear

Correct Answer: C

11). Which system is operated by compressed air as energy inputs?

- (A) Hydraulic System
- (B) Pneumatic System
- (C) Electrical System
- (D) Mechanical System

Correct Answer: B

12). What is the SI unit of pressure?

- (A) Kilogram
- (B) Pascal
- (C) Pound
- (D) Meter

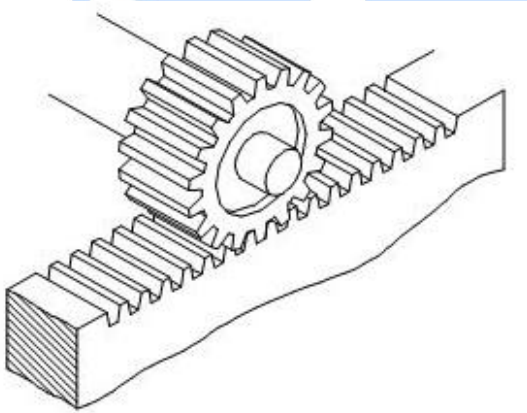
Correct Answer: B

13). Which term refers to the wear and tear of gear tooth due to cyclic load under high contact stress?

- (A) Crushing
- (B) Cold flow
- (C) Fatigue breakage
- (D) Rippling

Correct Answer: D

14). What is the name of the gear mechanism shown in the figure?



- (A) Mitre gear
- (B) Bevel gear
- (C) Rack and pinion
- (D) Worm and worm gear

Correct Answer: C

15). How end thrust in helical gear is rectified?

- (A) By using bevel gear
- (B) By using triple helical gear